

Design: Technical Emotions
Product: Swing-sofa - Light Version
Sizes: **cm 195x170x196h (76,7"x67"x77,1"h)**
seat **cm 60h (23,6"h)**
(capacity 250kg)

FEATURES



Frame: 304 stainless steel, polyester powder coating (Akzo Nobel), to be fixed on the ground.
316 stainless steel knobs and loops

Ropes: High-strength polyester

Glides: Nylon PA6

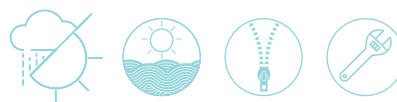
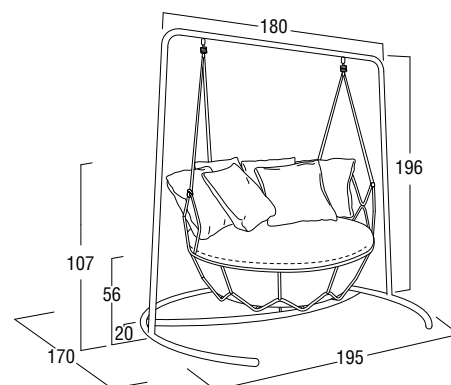
Finishings: Champagne, Graphite

Seat cushion: Polyurethane foam / polyester fiber polyester-pvc / polypropylene canvas

Back cushion: Chips in polyester fiber, hollow, silicone coated. Covering fabric in polypropylene, polyester and pvc.

ROBERTI RATTAN SRL disclaims any responsibility for damages caused to persons or properties, originating by an improper and/or insufficient fixing system.

www.robetirattan.com



Net weight unit 92,5

Gross weight 117

Packages per unit 2

Packages sizes frame base cm 200x177x27h
swing-sofa cm 136x136x81h

Packages volume m³ 2,35

Stackable NO

FINISHINGS

UV, marine environment, scratch resistant



Champagne



Graphite

ROPES

UV-resistant



Nautic Rope
Sand



Nautic Rope
Black

FABRICS

Different types of fabrics available in:
Acrylic - Polypropylene - Polyester - PVC
See the collection in the catalog and online.