

Design: Technical Emotions
Product: Swing-sofa
Sizes: **cm 174x167x238h (69"x66"x94"h)**
seat **cm 60h (24"h)**
(capacity 300kg)

FEATURES



Frame: 304 stainless steel
Polyester powder coating (Akzo Nobel), to be fixed on the ground.

Ropes: High-strength polyester

Glides: Nylon PA6

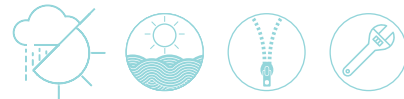
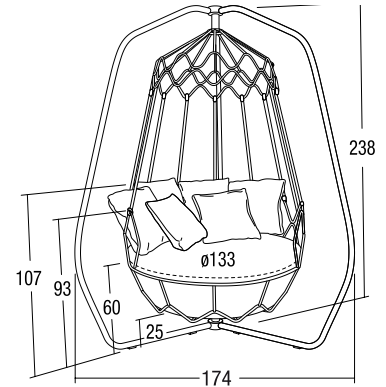
Finishings: Champagne, Graphite

Seat cushion: Polyurethane foam / polyester fiber
polyester-pvc / polypropylene canvas

Back cushion: Chips in polyester fiber, hollow, silicone coated. Covering fabric in polypropylene, polyester and pvc.

ROBERTI RATTAN SRL disclaims any responsibility for damages caused to persons or properties, originating by an improper and/or insufficient fixing system.

www.robentirattan.com



Net weight unit 100

Gross weight 133

Packages per unit 3

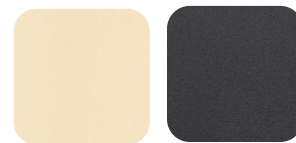
Packages sizes cap cm 96x96x56h
base cm 136x136x81h
frame cm 103x245x18h

Packages volume m³ 2,47

Stackable NO

FINISHINGS

UV, marine environment, scratch resistant



Champagne

Graphite

ROPES

UV-resistant



Nautic Rope
Sand

Nautic Rope
Black

FABRICS

Different types of fabrics available in:
Acrylic - Polypropylene - Polyester - PVC
See the collection in the catalog and online.